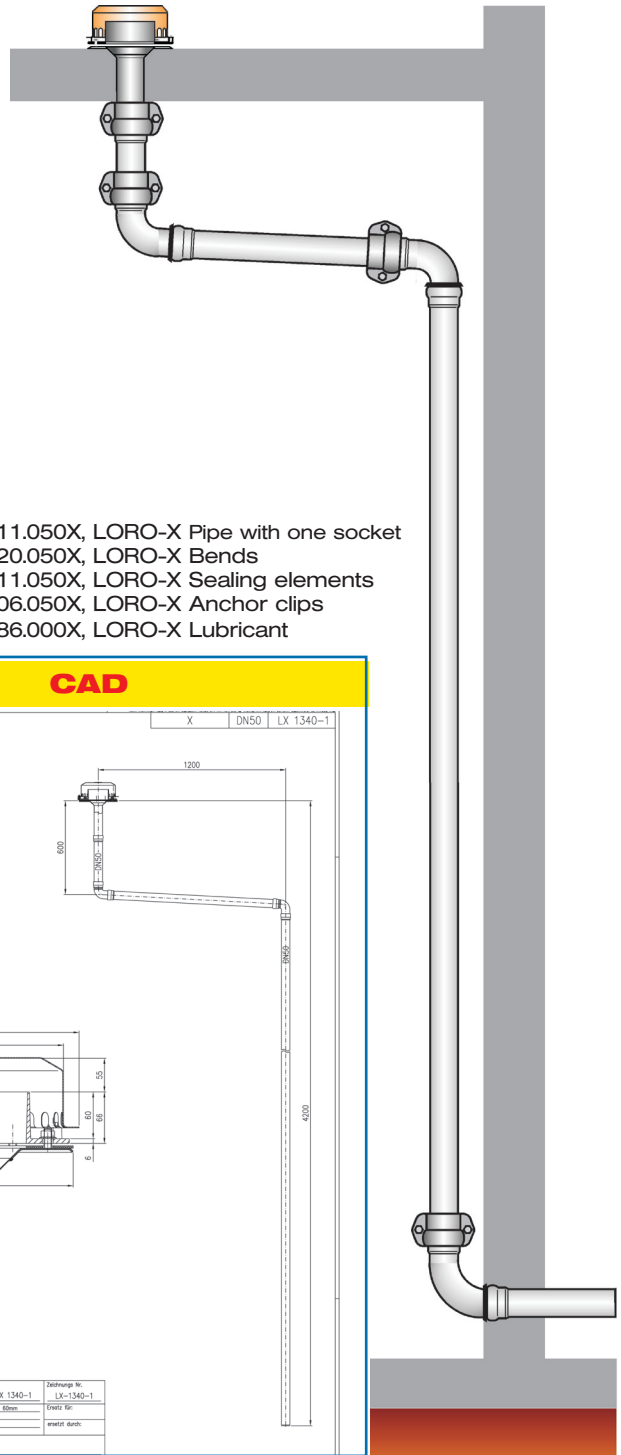


Specification sheet LX 1340

**Roof drainage systems
DRAINJET® Series 49 (DJ)**

Emergency drainage	
Siphonic flow	
Silent Power	
Discharge rate:	9,0 l/sec
Water height:	75 mm
Roof penetration:	-
Diameter:	DN 50
LX-Number:	LX 1340
Weir height:	55 mm
Drain:	not ventilated
Downpipe:	not ventilated
Downpipe height:	min 4,2 m
Drainage:	on floor



LX 1340 Piece list

1 x Art.-No. choose drain on page two!

1 x Art.-No. 01401.050X, LORO-X Pipe with one socket

2 x Art.-No. 00350.050X, LORO-X Bend

1 x Art.-No. 01201.050X, LORO-X Pipe with one socket

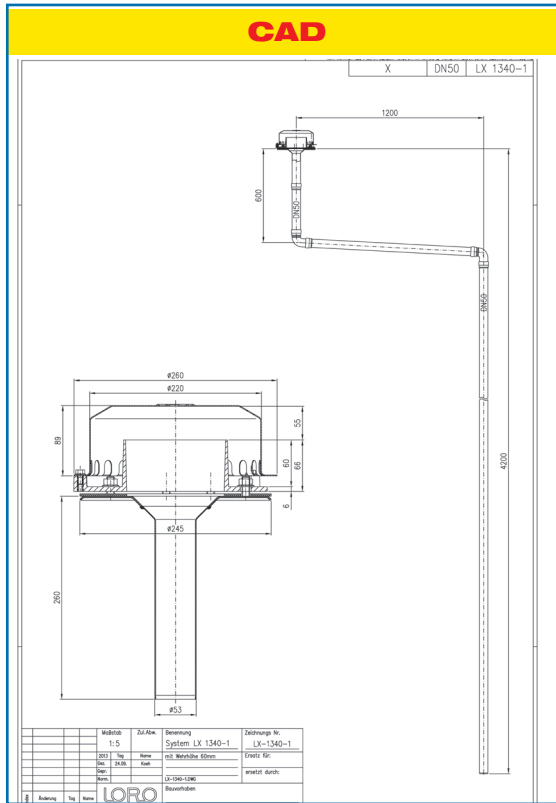
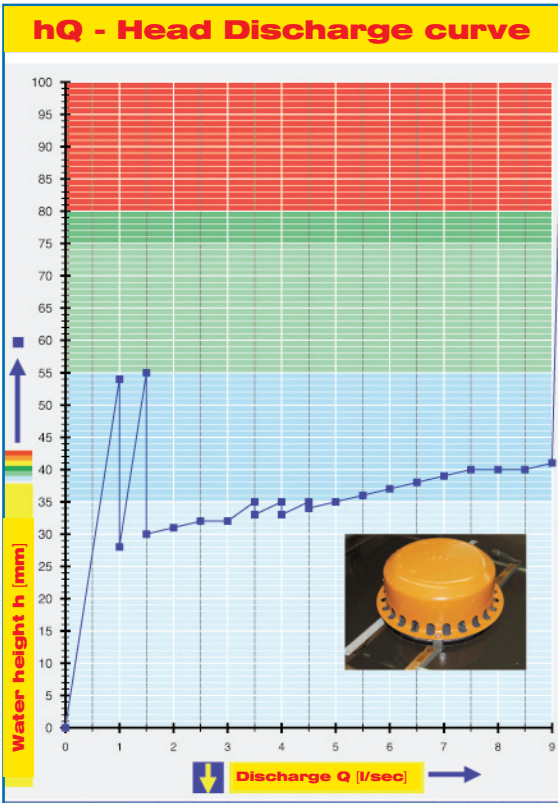
1 x Art.-No. 01011.050X, LORO-X Pipe with one socket

1 x Art.-No. 00320.050X, LORO-X Bends

6 x Art.-No. 00911.050X, LORO-X Sealing elements

3 x Art.-No. 00806.050X, LORO-X Anchor clips

1 x Art.-No. 00986.000X, LORO-X Lubricant



Systempower

Systemshape

Water height	mm	5	10	15	20	25	30	35	40	45	50	55	60	65	70	75
Discharge	l/sec												9,0	9,0	9,0	9,0
													Silent Power			

Choose drain for piece list on page one!

DN 50

without insulation

LX1340-5X

Drain Art.-No. 21311.050X

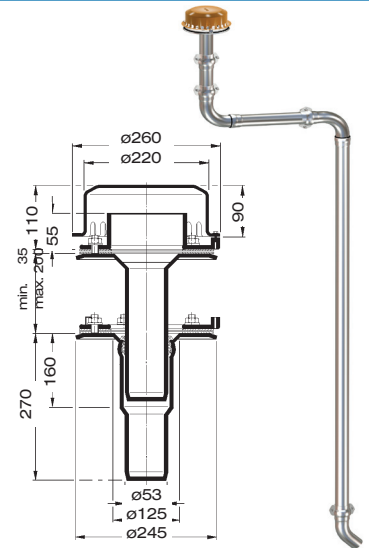
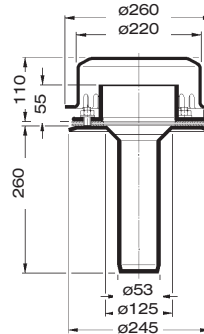
with clamping flange
one-piece



LX1340-6X

Drain Art.-No. 21321.050X

with clamping flange
two-piece



with insulation

LX1340-7X

Drain Art.-No. 21312.050X

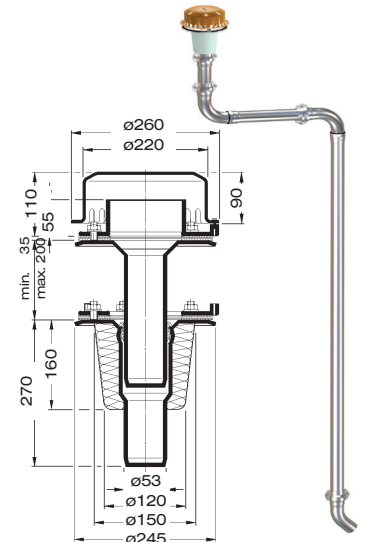
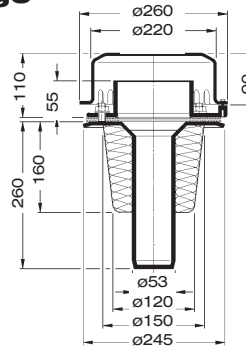
with clamping flange
one-piece



LX1340-8X

Drain Art.-No. 21322.050X

with clamping flange
two-piece



with insulation and heating

LX1340-9X

Drain Art.-No. 21313.050X

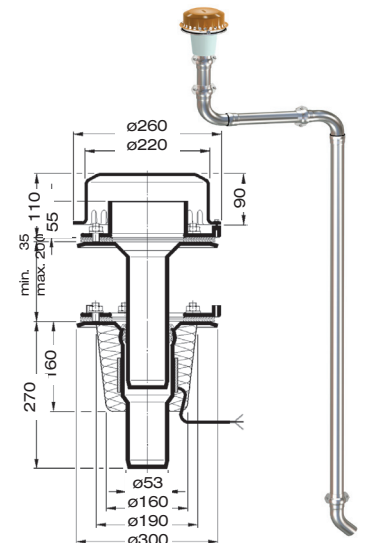
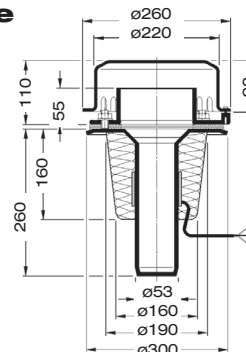
with clamping flange
one-piece



LX1340-10X

Drain Art.-No. 21323.050X

with clamping flange
two-piece



Heat tracing: Lorowerk recommends to check all drains and pipes with regard to their frost-sensibility. Where necessary, these parts should be upgraded with heat tracing.